



Need customer support?

Call 855.454.3732

# XMT-3500

AUTOMATIC SHUTTLE MAP/GAS  
FLUSH HEAT SEAL MACHINE



This is our largest Table Top MAP Packaging sealing machine. The 3500 series machine is at home operating 24/7 for both co-packers and local distribution shop applications. Strength and durability, combined with an ease of operation provide years of continuous uninterrupted service. Inert gas packaging was once only available to the very largest packaging facilities. Our 3500 series MAP machines bring that same technology to producers with a machine that is affordable AND large enough to grow with your expanding operations. This machine is the Heavyweight champion of Table Top GAS FLUSH heat sealing machines.



## FAST

- Automatic feed and seal feature
- Display shows number of cycles sealed in shift
- 5 minute warm up time
- Simple pocket and die change over
- Seals up to 8 cycles per minute, depending on tray size and material



## VERSATILE

- Interchangeable pockets and dies
- Custom pockets and dies available
- Choice of automatic or manual seal
- Optional date printer
- Adjustable heat settings & dwell time
- Registered print capability



## SAFE

- Automatic Shut Off to Prevent Injury
- All moving mechanisms are guarded, closing off potential pinch points




## QUALITY

- Die cuts around container for an attractive look
- Consistent, Leak-Proof Seals
- Film tensioner provides a wrinkle-free seal
- Low maintenance
- Heavy duty, stainless steel construction
- 12 month warranty on parts
- Digital controls with microcomputer program

 855.454.3732

 [www.140packaging.com](http://www.140packaging.com)

 [sales@140packaging.com](mailto:sales@140packaging.com)

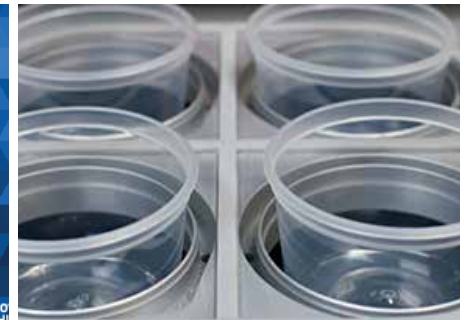


# XMT-3500

AUTOMATIC SHUTTLE MAP/GAS  
FLUSH HEAT SEAL MACHINE

Need customer support?

Call 855.454.3732



#### MACHINE DIMENSIONS

22.80" x 34.00" x 32.30"

#### MAX SIZE TRAY DIMENSIONS

16.50" x 11.50"

#### MAX WIDTH OF FILM

15.25"

#### MAX DIAMETER OF FILM ROLL

9.00"

#### MAX PACKAGING SPEED

1-up: 400 trays per hour

2-up: 800 trays per hour

4-up: 1,200 trays per hour

#### ELECTRICAL REQUIREMENTS

220 Volt, 1 Phase

#### POWER CONSUMPTION

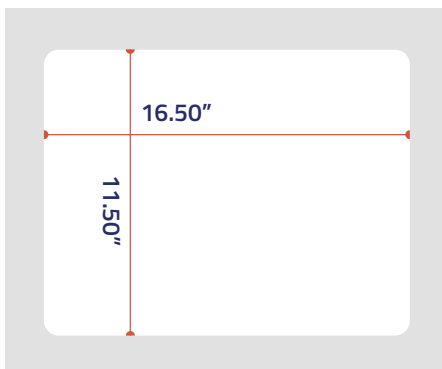
10amps

#### NET WEIGHT

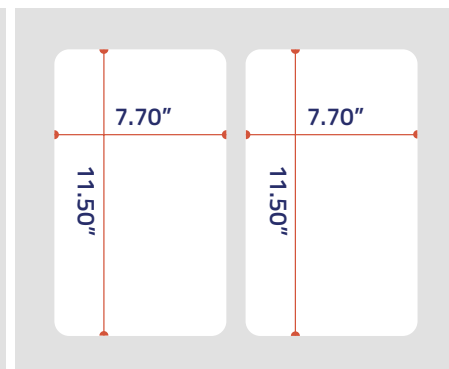
276lbs

#### COMPRESSED AIR REQUIREMENTS

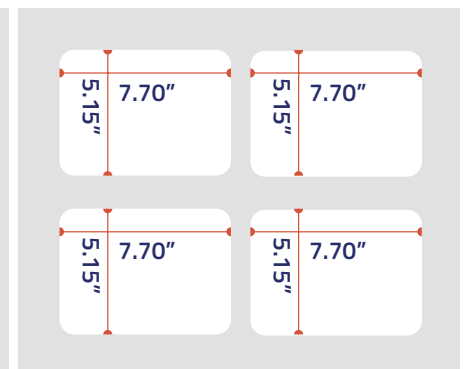
2HP Compressor



FOR ONE TRAY



FOR TWO TRAYS



FOR FOUR TRAYS

855.454.3732

www.140packaging.com

sales@140packaging.com